

1 EU - TYPE EXAMINATION CERTIFICATE

2 Product or Protective System Intended for use in Potentially Explosive Atmospheres Directive 2014/34/EU – Annex III

3 EU - Type Examination Certificate No.: **TRAC13ATEX0035X (incorporating variations V1 to V7)**

4 Product: **LED Headlight, 2745Z0 – Low power model, 2755Z0 – High power model and model 2765Z0**

5 Manufacturer: **Pelican Products Inc.,**

6 Address: **23215 Early Avenue, Torrance, California 90505, United States of America**

7 This product and any acceptable variation thereto is specified in the schedule to this certificate and the documents therein referred to.

8 Element Materials Technology, Notified Body number 2812, in accordance with Article 17 of Directive 2014/34/EU of the European Parliament and of the Council, dated 26 February 2014, certifies that this product has been found to comply with the Essential Health and Safety Requirements relating to the design and construction of products intended for use in potentially explosive atmospheres given in Annex II to the Directive.

The examination and test results are recorded in the confidential reports

TRA-013968-33-00A, TRA-022630-33-00A, TRA-023360-33-00A, TRA-033478-33-01A, TRA-034617-33-00A, TRA-038977-33-00A, TRA-044177-33-00A and TRA-050306-33-01A.

9 Compliance with the Essential Health and Safety Requirements has been assured by compliance with:

EN IEC 60079-0:2018

EN 60079-11:2012

EN 60079-28:2015

Except in respect of those requirements listed at section 18 of the schedule.

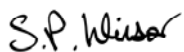
10 If the sign "X" is placed after the certificate number, it indicates that the product is subject to specific conditions of use specified in the schedule to this certificate.

11 This EU - TYPE EXAMINATION CERTIFICATE relates only to the design and construction of the specified product. Further requirements of the Directive apply to the manufacturing process and supply of this product. These are not covered by this certificate.

12 The marking of this product shall include the following:

 **II 1 G Ex ia op is IIC T4...T3 Ga**

This certificate and its schedules may only be reproduced in its entirety and without change. This certificate is issued in accordance with the Element Materials Technology Ex Certification Scheme.



S P Winsor, Certification Manager

Issue date: 2020-06-10

Page 1 of 7

CSF355-NL 2.0

13 SCHEDULE TO EU - TYPE EXAMINATION CERTIFICATE

14 CERTIFICATE NUMBER TRAC13ATEX0035X (incorporating variations V1 to V7)

15 Description of Product

The equipment is a portable LED head torch powered by three series connected AAA size batteries. The enclosure and lens are constructed from polycarbonate and thermoplastic elastomer compound materials.

There are three models: The 2745Z0, a low power version consisting of three white LEDs; the 2755Z0, a high power version with one white LED, and the 2765Z0, consisting of one high brightness white LED and two low power white LEDs.

The 2755Z0 and 2765Z0 feature LED battery status indicators. All of the LEDs are mounted at the front of the head torch.

The equipment is supplied with head straps which are made from either antistatic elastic polyester, nylon cloth or rubber.

The equipment is designed for use in Zone 0 explosive atmospheres based on intrinsic safety protection concept with an ingress protection rating of IP 54.

The following cell types are permitted for use in the equipment:

Permitted cell types (AAA size)		T-Class
Primary:	Panasonic LR03 (Extreme Power)	T4
	Duracell MN2400	T4
	Energizer E92	T4
	Sanyo LR03	T4
	Varta High Energy 4903 LR03	T4
	NX-Power Plus PCA9046	T3
Secondary:	Peli P-NiMH-AAA	T4

16 Test Report No. (as added for this issue of the certificate): TRA-050306-33-01A.

17 Specific Conditions of Use

1. Only the following battery models are permitted to be used in conjunction with this product:
T4 – Panasonic LR03 (Extreme Power), Duracell MN2400, Energizer E92, Sanyo LR03 and Varta High Energy 4903 LR03 AAA size alkaline batteries or Peli rechargeable cells P-NiMH-AAA (max charge current = 800 mA)
T3 – NX-Power PCA9046.
2. All of the cells must be of the same manufacturer
3. Do not replace battery cells when an explosive atmosphere is present. Battery cells must be replaced with the correct polarity.



Attention is drawn to the operating and installation instructions which may contain useful information in relation to conditions of use.

SCHEDULE TO EU - TYPE EXAMINATION CERTIFICATE

CERTIFICATE NUMBER TRAC13ATEX0035X (incorporating variations V1 to V7)

18 Essential Health and Safety Requirements (Directive Annex II)

In addition to the Essential Health and Safety Requirements covered by the standards listed at item 9, all other requirements are demonstrated in the relevant reports.

19 Drawings and Documents

The list of controlled technical documentation is given in Appendix A to this schedule.

20 Routine Tests

None.

21 Specific Conditions for Manufacture

None.

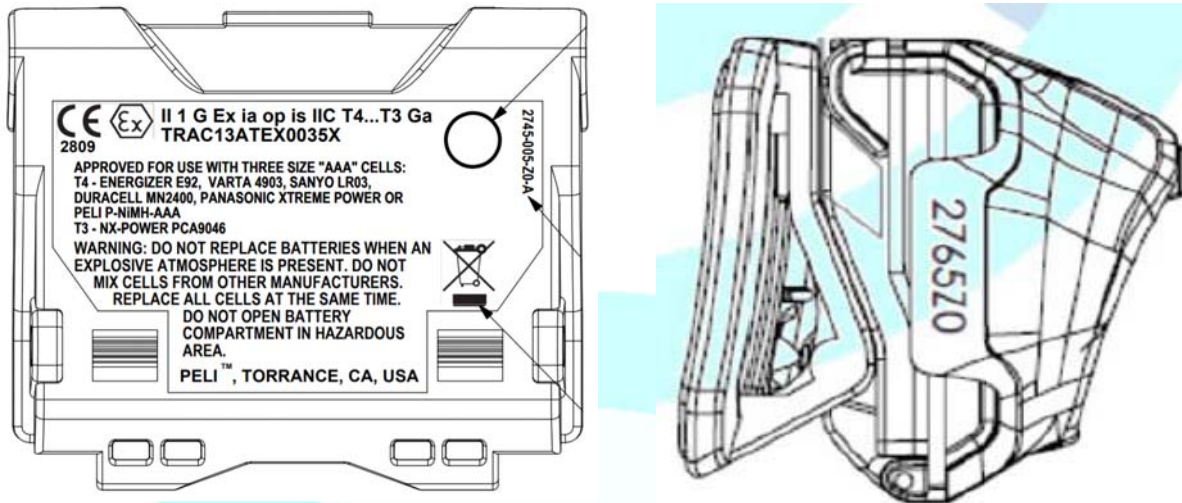
22 Photographs



SCHEDULE TO EU - TYPE EXAMINATION CERTIFICATE

CERTIFICATE NUMBER TRAC13ATEX0035X (incorporating variations V1 to V7)

23 Details of Markings



24 Details of Variations to this Certificate

This certificate is a consolidated certificate and reflects the latest status of the certification, including the following variations:

- Variation V1 - Addition of the new model '2765Z0' to the existing certification and removal of Philips battery.
- Variation V2 - Change of enclosure shape for 2755Z0 and 2765Z0 model. Change of enclosure materials. Minor revision to PCB schematic for 2745Z0 model. Update of certification to incorporate changes between EN 60079-0:2009 and EN 60079-0:2012 + A11:2013. ATEX version model numbers now assigned Z0 suffix
- Variation V3 - Addition of rechargeable NiMH cell to permitted cells list. Equipment no longer within the scope of latest version of EN 60079-26 and hence standard is no longer applicable.
- Variation V4 - PCB modification to include alternate LEDs and alternate resistor values (2755Z0 / 2765Z0 models only).
- Variation V5 - Modification to safety critical component on 2755Z0 PCB. Modification to non-safety critical components on 2745Z0, 2755Z0 and 2765Z0 PCB. • Modification to safety critical component on 2755Z0 PCB. Modification to non-safety critical components on 2745Z0, 2755Z0 and 2765Z0 PCB. Modification to drawing - 027450-0100-001 Rev. B 2016-06-05.
- Variation V6 – Update to EN IEC 60079-0:2018, new strap materials and other drawing changes. This certificate was originally issued by Notified Body number 0891 under Directive 2014/34/EU. The technical file has been transferred to Element Notified Body number 2812.
- Variation V7 – Additional permitted primary cell, temperature class limited to T3. Marking label and instructions updated to change Ex coding for temperature class and add specific condition of use.

25 Notes to CE marking

In respect of CE Marking, Element Materials Technology accepts no responsibility for the compliance of the product against all applicable Directives in all applications.

SCHEDULE TO EU - TYPE EXAMINATION CERTIFICATE

CERTIFICATE NUMBER TRAC13ATEX0035X (incorporating variations V1 to V7)

26 Notes to this certificate

Element Materials Technology certification reference: ERO032645P21 (GU-PCNQ-0028).

Throughout this certificate, the date format yyyy-mm-dd (year-month-day) is used.

Notified Body number 2812 is the designation for Element Materials Technology Rotterdam BV.

In accordance with Article 41 of Directive 2014/34/EU, EC-Type Examination Certificates referring to 94/9/EC that were in existence prior to the date of application of 2014/34/EU (20 April 2016) may be referenced as if they were issued in accordance with Directive 2014/34/EU. Variation certificates to such EC-Type Examination Certificates, and new issues of such certificates, may continue to bear the original certificate number issued prior to 20 April 2016.

27 Conditions for the validity of this certificate

This certificate remains valid for so long as:

- (i) The equipment listed in section 4 is manufactured in accordance with the documents listed in Appendix A of this certificate.
- (ii) The standards listed in section 9 of this certificate continue to satisfy the Essential Health and Safety Requirements of Annex II of Directive 2014/34/EU and the generally acknowledged state of the art (e.g. as determined by the publishers of those standards).

SCHEDULE TO EU - TYPE EXAMINATION CERTIFICATE

CERTIFICATE NUMBER TRAC13ATEX0035X (incorporating variations V1 to V7)

APPENDIX A - TECHNICAL DOCUMENTS

Title:	Drawing No.:	Rev. Level:	Date:
Model 2745Z0, 2755Z0 and 2765Z0 (Common Documents)			
INNER COVER, 2740	027400-0100-004	B	2013-08-22
FRONT COVER O/M, 2745/55/65	027450-0100-003	B	2019-02-14
FRONT COVER O/M, 2740/50/60	027400-0100-003	D	2016-06-15
BACK PLATE O/M, 2745/55/65	027450-0100-005	B	2019-02-14
BACK PLATE O/M, 2740/2750/2760	027400-0100-005	B	2016-06-15
VENT PLUG, 2740/50/60	027400-0100-006	B	2015-03-17
BATTERY HOUSING, 2745/55/65	027450-0100-002-01	A	2015-07-14
BATTERY HOUSING, 2740/50/60	027400-0100-002-01	B	2015-03-17
BATTERY COVER, 2745/55/65Z0	027450-0100-001	D	2020-05-12
BATTERY COVER, 2740/50/60	027400-0100-001	D	2016-05-06
MOLDED APPROVAL INSERT, 2745/2755/2765 ZONE 0	2745-005-Z0	A	2020-05-28
HEAD STRAP, CLOTH, 2690 PELI	2690-030-039E	A	2015-04-21
HEAD STRAP, CLOTH, PELI	027400-0100-009E	B	2019-10-23
HEAD STRAP, RUBBER, 2610 (2 Sheets)	2610-800-000	B	2017-05-01
BATTERY CONTACT, POSITIVE, 2740/50/60	027400-0100-002-06	A	2013-08-22
BATTERY CONTACT, NEG, 2740/50/60	027400-0100-002-05	A	2013-08-22
BATTERY CONTACT, 2740/50/60	027400-0100-002-03	A	2013-08-22
BATTERY CONTACT, 2740/50/60	027400-0100-002-04	A	2013-08-22
Model 2745Z0 specific:			
PCBA, 2745 (3 Sheets)	027450-0100-002-02	D	2018-03-27
FACIA, 2745Z0	027450-0100-007	A	2014-11-11
FACIA, 2740	027400-0100-007	A	2013-02-03
HEADLIGHT, 2745 (2 Sheets)	002745-6000-CLRE-Z0	F	2020-12-05
2745 INSTRUCTION SHEET	002745-0318-506	A	2020-05-12
Model 2755Z0 specific:			
HEAT SINK, 2750	027500-0100-002-07	A	2013-08-22
PCBA, 2755 (3 Sheets)	027550-0100-002-02	E	2018-03-27
FACIA, 2755Z0	027550-0100-007	A	2014-11-11
FACIA, 2750	02750-0100-007	A	2013-02-03
HEADLIGHT, 2755 (2 Sheets)	002755-6000-CLRE-Z0	I	2020-05-12

SCHEDULE TO EU - TYPE EXAMINATION CERTIFICATE**CERTIFICATE NUMBER TRAC13ATEX0035X (incorporating variations V1 to V7)**

2755 INSTRUCTION SHEET	002755-0318-506	A	2020-05-12
INNER COVER, 2755	027550-0100-004-03	A	2013-08-22
LENS HOLDER, 2750 (Sheet 2 of 4 only)	027500-0100-004-01	A	**
LENS, 2750	027500-0100-004-02	B	2016-05-09
Model 2765Z0 specific:			
HEAT SINK, 2750	027500-0100-002-07	A	2013-08-22
PCBA, 2765 (4 Sheets)	027650-0100-002	G	2018-03-27
FRONT COVER, 2760	027650-0100-003	C	2019-02-14
FRONT COVER, 2760	027600-0100-003	B	2016-06-15
FASCIA, 2765Z0	027650-0100-007	A	2015-06-15
FACIA, 2750	02750-0100-007	A	2013-02-03
HEADLIGHT, 2765Z0 (2 Sheets)	002765-6000-CLRE-Z0	I	2020-05-12
2765 INSTRUCTION SHEET	002765-0318-506	A	2020-05-12
INNER COVER, 2765	027650-0100-006	A	2014-10-31
LENS HOLDER, 2750 (Sheet 2 of 4 only)	027500-0100-004-01	A	**
OPTICAL LENS, 2760	027600-0100-005	A	2013-07-22